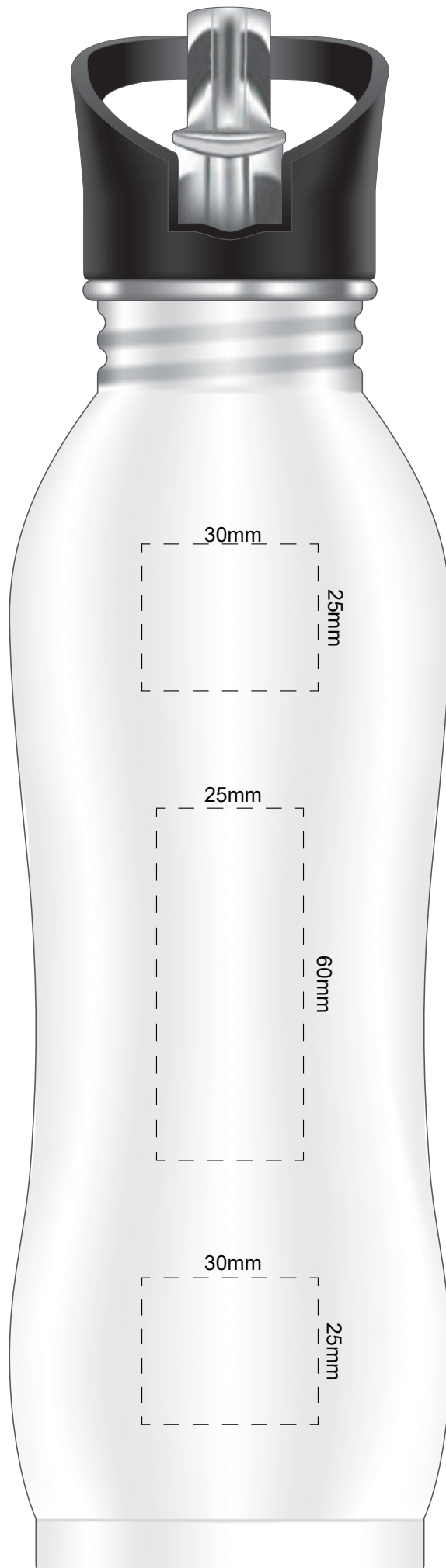
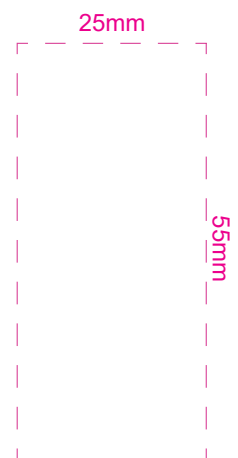


100% of Actual Size  
Pad Print



100% of Actual Size  
Pad Print

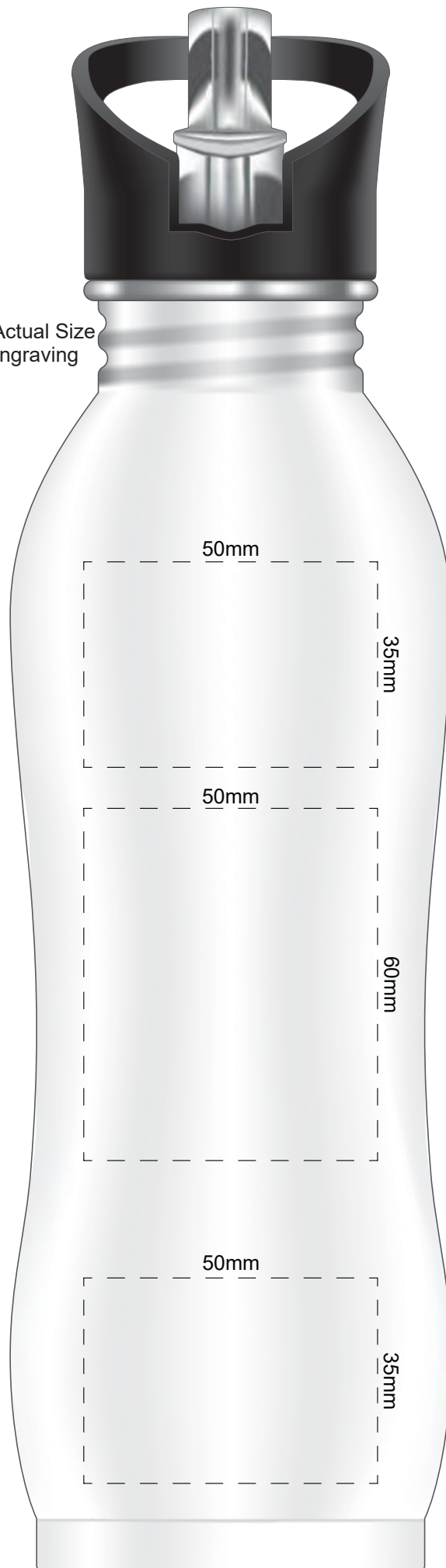


The larger special print area is only available on this item by breaking the artwork up into multiple prints. Each individual print artwork must fit within 55mm x 25mm, each print can be positioned anywhere within the overall print area but should not be touching with other prints.

Different print colours are available for each print.

Each print is charged the normal print position rate plus setup.

100% of Actual Size  
Laser Engraving

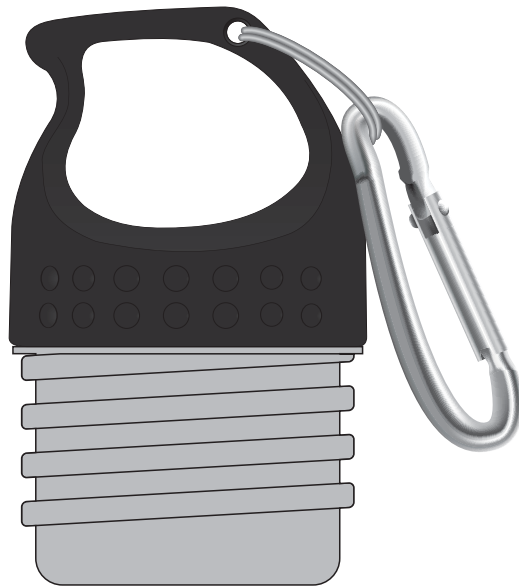


Please be aware that artwork will adhere to the shape of the product. Therefore, linear shapes that utilise the full print area may appear skewed from the side perspective due to the tapered nature of the product.

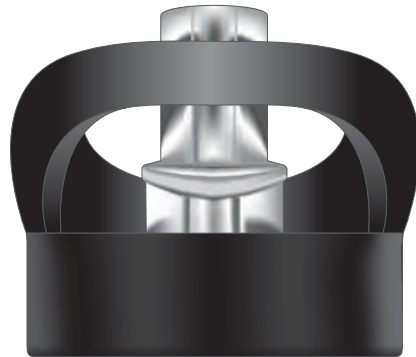


Engraves to a Shiny Steel finish

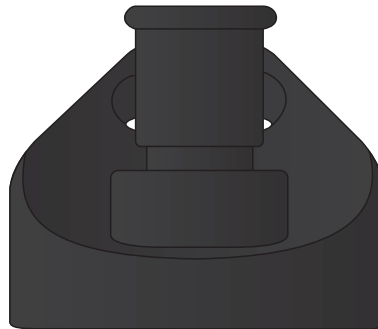
**CARABINER LID**



**FLIP VALVE LID**

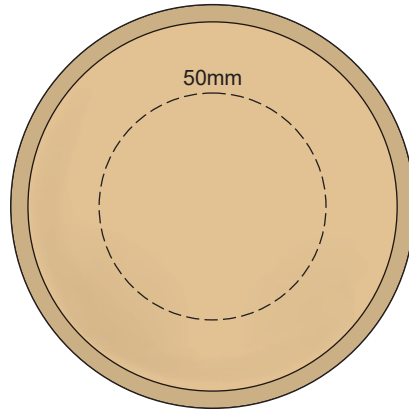
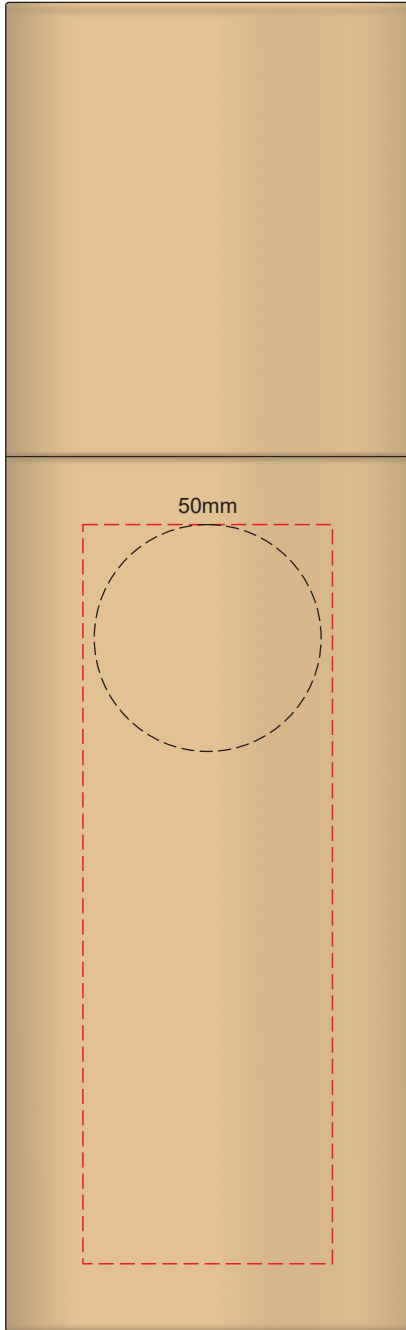


**SIPPER LID**





60% of Actual Size  
Pad Print (one colour)



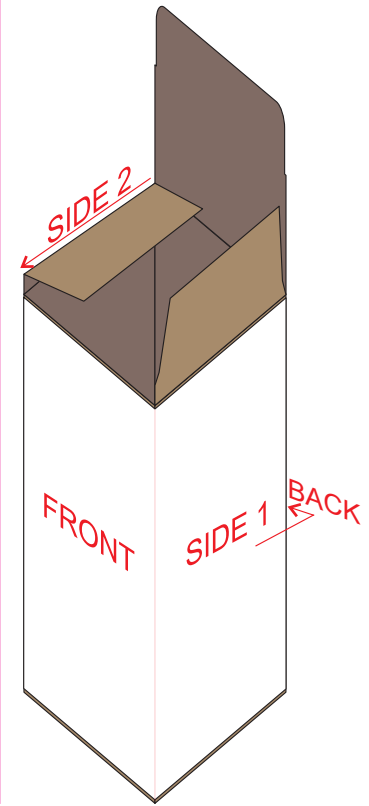
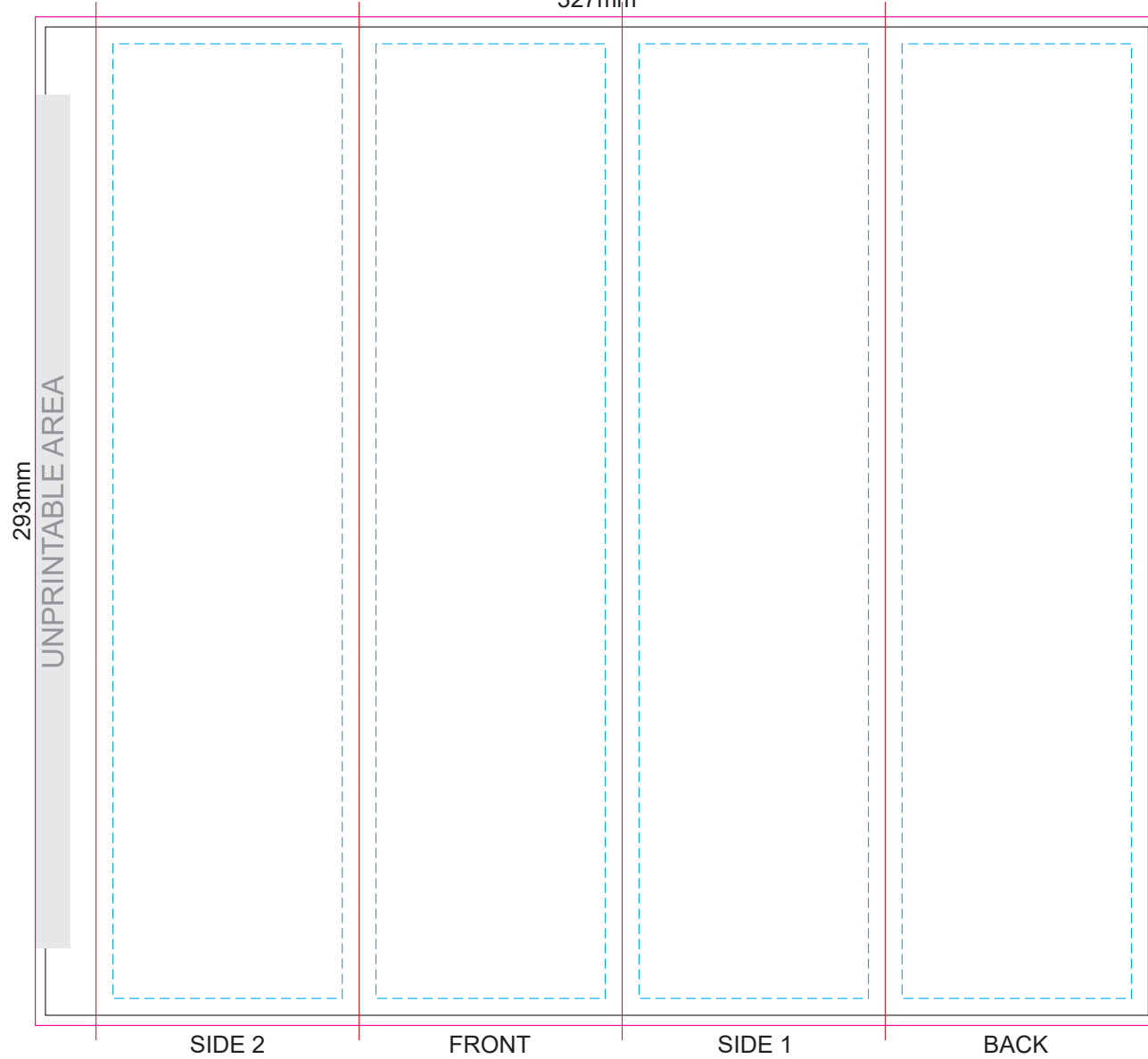
Branding area can be moved anywhere within the red line.

# GIFT BOX SLEEVE

50% of Actual Size

Digital Print

327mm



Blue Line = The SIGNIFICANT PRINT AREA  
(Keep all critical images & text within this box)

Black Line = Maximum print area

Pink Line = Bleed off to here

Red Line = Fold Line