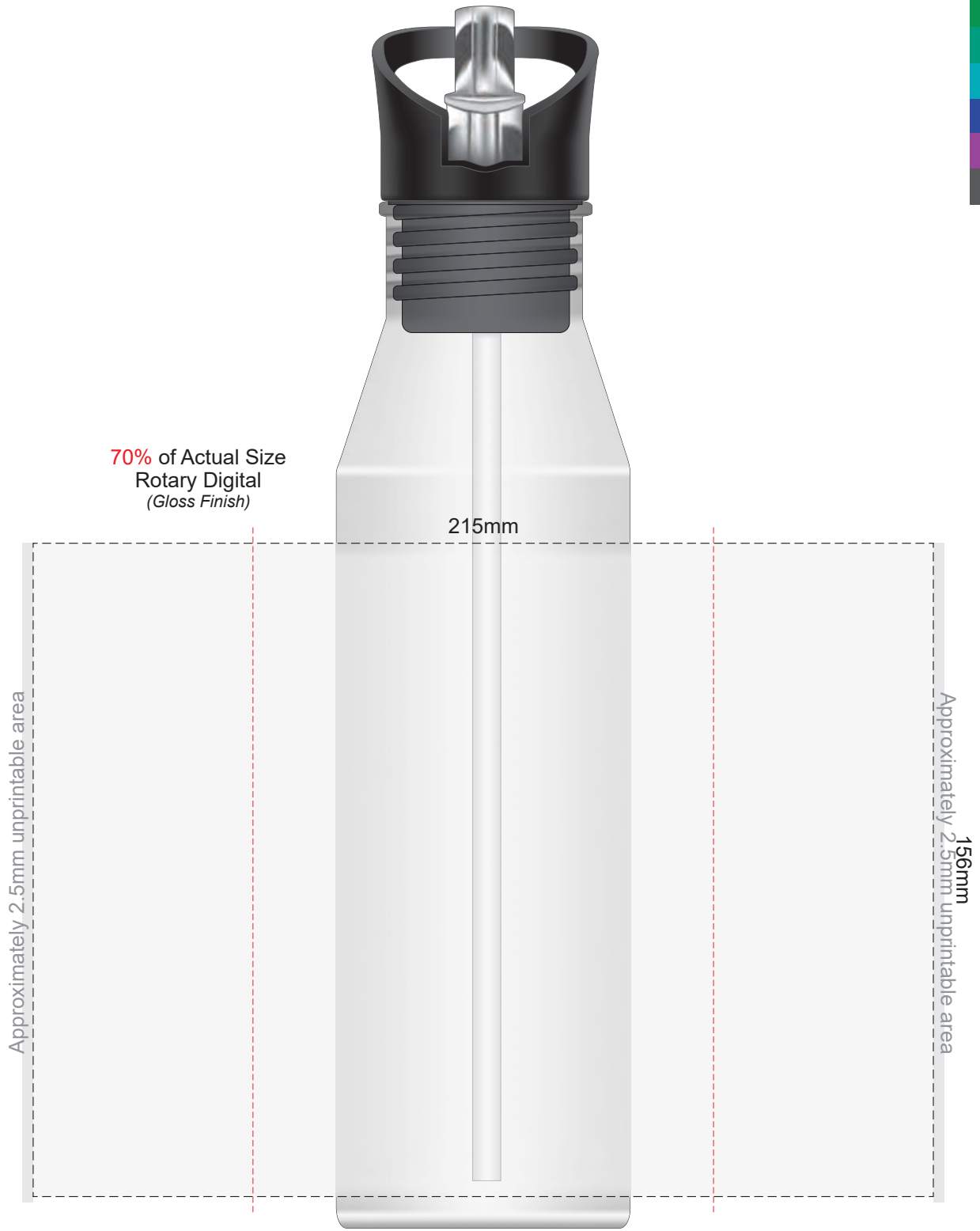


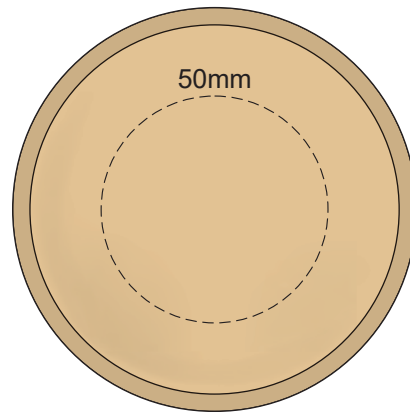
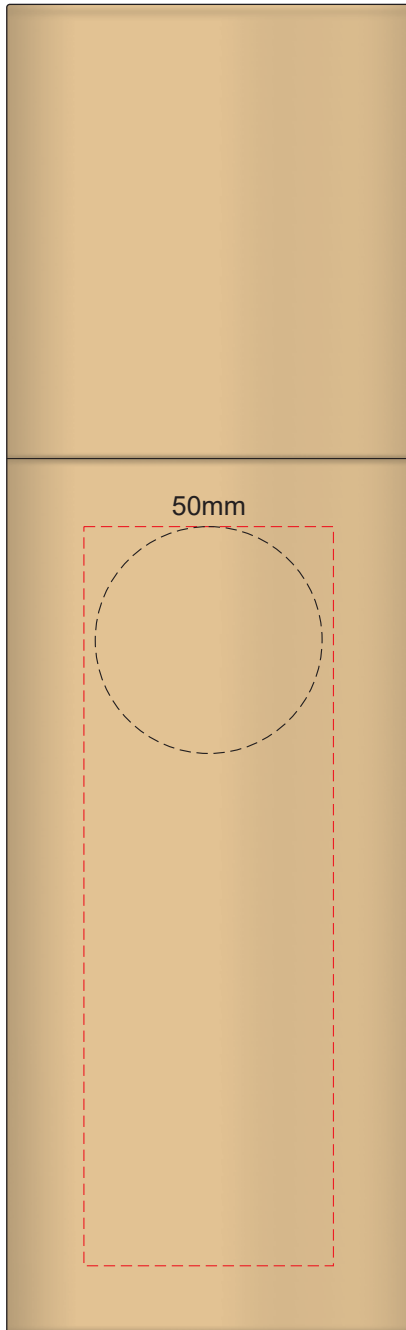
Red Line = Exact opposites of the product  
(centre artwork to the red line)



Red Line = Exact opposites of the product  
(centre artwork to the red line)



60% of Actual Size  
Pad Print (one colour)



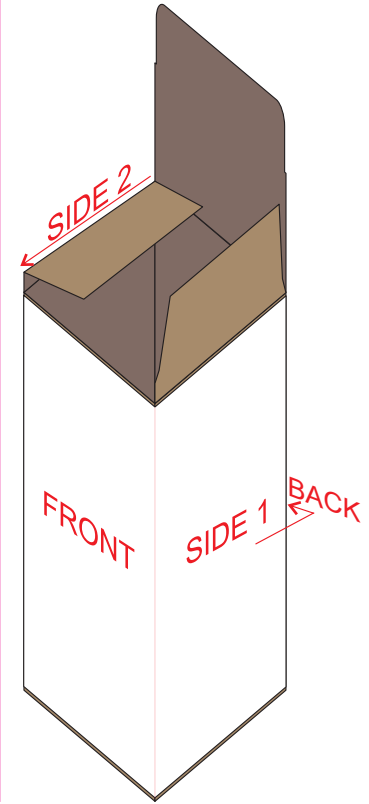
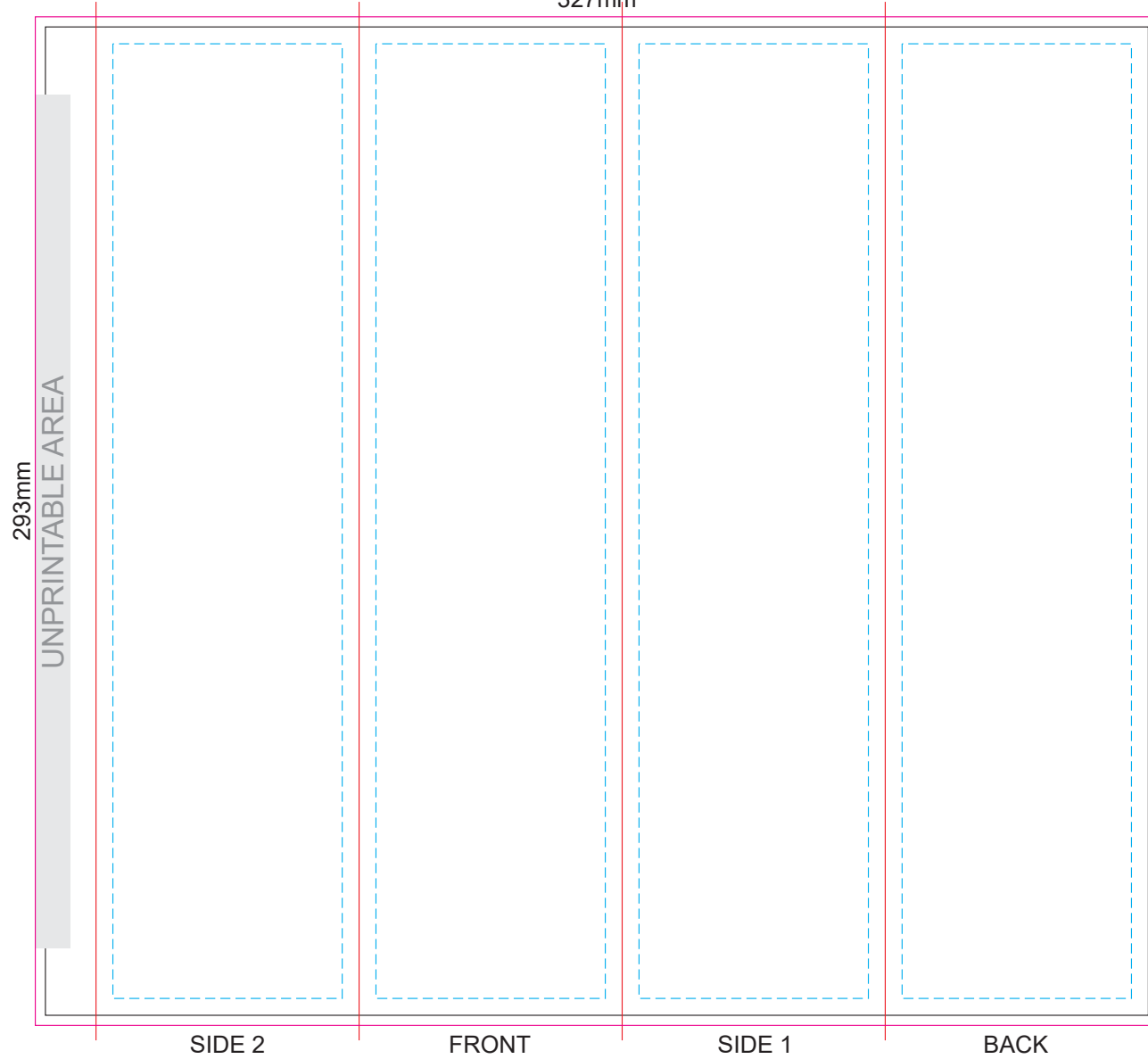
Branding area can be moved anywhere within the red line.

# GIFT BOX SLEEVE

50% of Actual Size

Digital Print

327mm



Blue Line = The SIGNIFICANT PRINT AREA  
(Keep all critical images & text within this box)

Black Line = Maximum print area

Pink Line = Bleed off to here

Red Line = Fold Line